

FEATURES AND BENEFITS



- ▶ Battery Operated Fixed Temperature Heat Alarm
- ▶ Sensitive only to a fixed temperature-
Less nuisance alarms due to contamination, dust and insects
- ▶ With quick fix mounting bracket and simple connector for easy installation
- ▶ Fitting and battery tamper resist feature
- ▶ Alarm Point: 58°C (135°F) fixed temperature triggers alarm
- ▶ LED Alarm indicator
- ▶ Low-battery and battery missing warning indicator
- ▶ Self-test button
- ▶ Interconnectable (Up to 40 Heat And/Or Smoke Alarms)
- ▶ CE, FCC approved, comply with EN54, EN50130-4, UL521 standard

PRODUCT SPECIFICATIONS

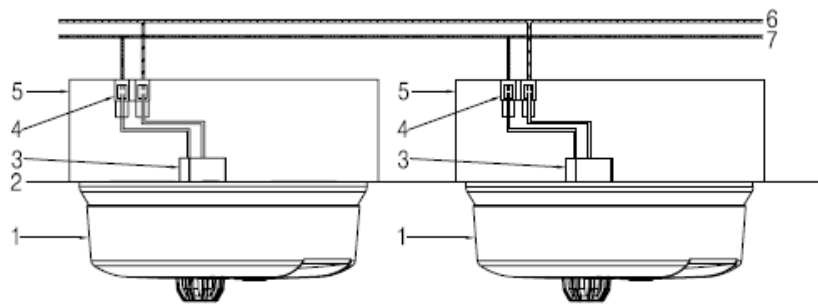
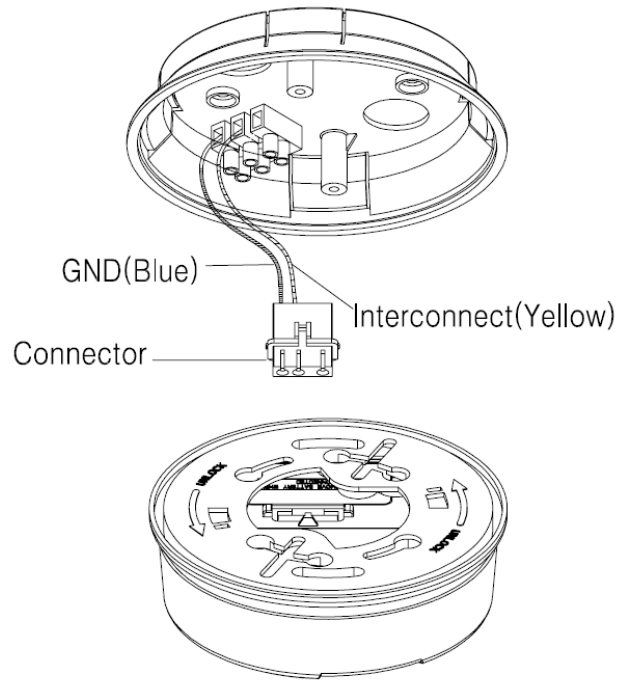
Model Number	VST-H588I
Operation Temperature	-23 °C to 70°C
Power Source	9V Battery
Alarm Point	58°C (135°F) fixed temperature triggers alarm
Battery Life	1 year minimum
Operation Current	<20mA operation(mains)
Alarm Sound Level	85 decibels at 3m(10 ft)
Recommended Coverage	232 m ² (2500 square feet)
Recommended Spacing	15m (50 feet)
Maximum Distance From Wall	7.5m (25 feet)

SHIPPING SPECIFICATIONS

Model Number	VST-H588I
Unit Dimension	11.2cm x 11.2cm x 4.7 cm
Master Ctn. Quantity	100
Master Ctn. Dimension	62cm x27cm x38cm
Master Ctn. Weight	24.00 Kgs

INSTALLATION

For interconnecting line, only use #14-#18 AWG minimum solid or stranded wire. When being interconnected, maximum wire length between any two is 1500 feet for #18 AWG or 4000 feet for #14 AWG (20 OHMS loop resistance). This heat alarm can be interconnected with as many as 40 other DC or AC ORIENTALERT heat alarms and/or smoke alarms. Do not connect to any other type or model smoke alarms except the ones we specify.



1	Heat alarm	3	Connector	5	Junction box	7	GND(Blue)AC wire
2	Ceiling or wall	4	Terminal	6	Interconnect(Yellow)wire		

Xiamen Vs-Top Electronics Co., Ltd.

6th floor, Jinzhongda Park, No.666 Yangguang Road, Xinyang Industrial District, Haicang, Xiamen, China. 361026

Tel: +0086-592-6017700

Fax: +0086-592-6017711

E-mail: sales@orientalert.com

Website: www.orientalert.com