

Wireless Control Receiver UC-222

Description

The UC-222 is a single channel receiver of coded radio signals. It is powered by 230VAC (110VAC). Its output relay contact operates at 230VAC.

The UC-222 can be used with remote controls (RC-11, RC-22) and with the JA-60 wireless system items (detectors, keypads, control panels). The UC-222 has four different operating modes and up to 30 different wireless items can be enrolled to the receiver's non-volatile memory.

Specifications:

Operating voltage: 230 V ~ 50 Hz (110 V ~ optional), Class II
 Power consumption: 0.03 A (1 VA) / 0.05 A (1.8 VA)
 Operating frequency: 433.92 MHz
 Coding: digital, each item has a unique floating code over switching dry contact
 Output relay: Fused 6A at 250 V
 Range (open area): with RC-11 & 22 up to 30 meters
 with JA-60 items up to 100 meters

Can be operated according to ERC REC 70-03

Complies with: ČSN EN 60 950, ETSI EN 300 220, ETS 300 683

Hereby, Jablotron Ltd., declares that this UC-222 is in compliance with the essential requirements and other relevant provisions of Directive 1999/5/EC.

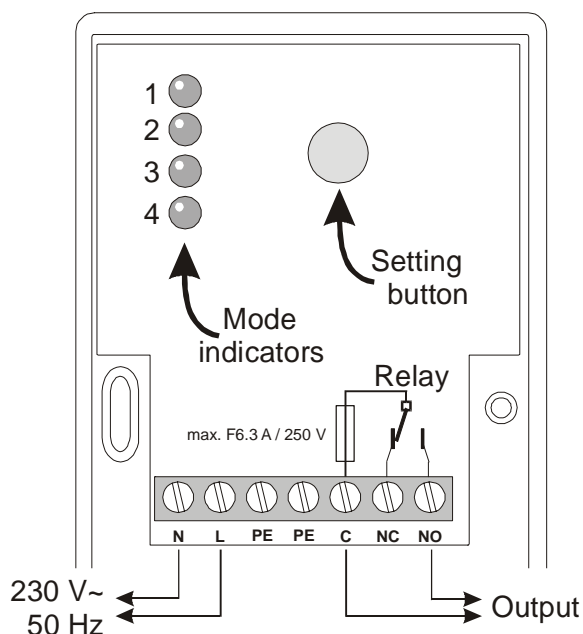
Original of the conformity assessment can be found at the web page www.jablotron.cz, section Technical support.

Installation:

CE 0700

Use a flexible double insulated cable (cross section 0.75 – 1.5 mm²) for power supply connection.

- Open the external cover of the unit by pressing in the internal tab of the lock on the top (small flat screw-driver is appropriate). Unscrew the center screw of the internal safety cover and remove this cover.
- Route wires (not connected to power supply!) through the hole in the bottom of the rear housing. Attach the housing to the desired place using the provided screws.
- Fix the wires in the power supply terminals. Replace the internal cover.



Terminal description:

NC, NO, C - output relay contact (fused for 6A)

PE - pair of connected terminals - Protective Earth (Ground)

N, L - power 230V / 50Hz

Setting

There is a setting button on the internal cover of the UC-222 and four LED indicators. By pressing this setting button, you can scroll through four learning (operating) modes (1 to 4) indicated by a corresponding flashing LED indicator. When the selected mode's LED is flashing, the wireless item (remote control, detector etc.) can be enrolled (see following description). As a maximum, 30 different items can be enrolled (assuming it is not specified for a particular item or mode).

UC-222 operating (learning) modes available

n.	mode	UC-222 relay reaction	possible to enroll (max. 30 items)
1	short pulse	relay will turn on for 2 seconds	<ul style="list-style-type: none"> • RC buttons A, B, A&B • detectors JA-60 • keypads JA-60D
2	long pulse	relay will turn on for 2 minutes	<ul style="list-style-type: none"> • RC buttons A, B, A&B • detectors JA-60 • keypads JA-60D
3	latch	relay status will change (on - off - on - off)	<ul style="list-style-type: none"> • RC buttons A, B, A&B • Keypads JA-60D
4	ON OFF	button A will turn relay on, button B will turn relay off JA-60M - follows sensor status JA-60D code=on/off & F1=on	<ul style="list-style-type: none"> • RC with button A • control panels JA-60* • keypads JA-60D* • detectors JA-60M*

* this item can not be combined with any other model and a max. of 8 items can be enrolled in this mode

Remote controls enrollment

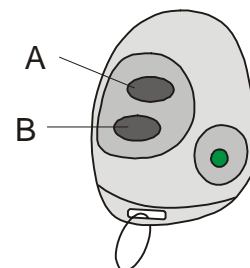
Remote controls RC-11 & RC-22 can be used with the UC-222 unit. There are two buttons on each RC-11 (A and B), enabling each remote control to send two different commands by pressing buttons A or B. The RC-11 can also send a third command by pressing the A & B buttons simultaneously (not available with the RC-22).

By pressing a button on the remote control while a desired UC-222 learning mode is selected, you teach that button to the receiver's memory. The corresponding operating mode will now be associated to this remote control button.

JA-60 detectors and keypads enrollment

Wireless detectors of the JA-60 system and the JA-60D keypads can be taught to the memory in learning mode no. 1 and 2 (pulse modes):

- remove the batteries from the JA-60 item
- select the desired learning mode of the UC-222 (no. 1 or 2)
- reinstall the batteries into the JA-60 item (in the JA-60P detector, press and hold pressed its tamper switch while installing the batteries)
- UC-222 will store the JA-60 items code in its memory
- close the cover of the JA-60 item



You can combine multiple JA-60 items and RC-11 & RC-22 remote controls to operate a UC-222 (up to thirty).

Note: If you have a JA-60 alarm system installed, its detectors can also be simultaneously used for house automation. For example, a JA-60P motion detector(s) can be taught to mode no. 2 of the UC-222 which controls a light. This way the detectors not only informs your alarm control panel about detected movement, but also automatically turn on lights in the corresponding area.

The JA-60D keypad can also be enrolled in learning mode 3 and 4. Each entering of a valid access code on the JA-60D will change the condition of the UC-222 relay. If the keypad was enrolled in mode 4, then the entering of F1 on the keypad will switch the UC-222 relay on (a max. of 8 keypads can be enrolled in this mode and they can not be combined with other items).

If a JA-60M detector is enrolled in mode 4, then the UC-222 relay follows the condition of the JA-60M sensor (or INP terminal). As a maximum 8 JA-60M detectors can be enrolled in this mode.

JA-60K control panel enrollment

The UC-222 can also be used as a wireless output module for the JA-60K control panel. The UC-222 will have the same function as the PgX programmable output of the control panel. When you want to use the UC-222 with the control panel, all other items have to be erased from the UC-222's memory. The control panel can be taught to the UC-222 only in learning mode no. 4:

- enter the programming mode on the JA-60K
- select learning mode no. 4 of the UC-222
- enter the code 299 on the JA-60K keypad
- the UC-222 will store the JA-60K code in its memory
- exit the JA-60K programming mode

Multiple UC-222's can be used with a control panel and each UC-222 can also receive signals from more than one control panel (up to 8). No other items (remote controls or detectors) can be enrolled when the UC-222 is used with the JA-60K control panel.

This allows the UC-222 unit to control power appliances automatically with a signal from the alarm system. For example: switch on lights when you enter a house, switch off an appliance when you are leaving (arming), control an electric door lock etc.

Setting remarks

- newly enrolled items are added to previously enrolled ones
- after 30 items are taught, no other item can be added. In mode 4, the JA-60K, JA-60D and the JA-60M are limited to only 8 items.
- if one item is taught for multiple modes, only the last taught mode will remain in the UC-222's memory
- you can combine different modes for different items. Only the JA-60K, JA-60D and the JA-60M in mode 4 can not be combined with other items.
- The selected setting mode will close after an item is enrolled, or, automatically after 10 seconds

Operation remarks

- every time a pulse mode is activated by a signal from a remote control, detector etc. a new time count will start.
- An item enrolled to the UC-222 can also be used for other devices. For example: the remote control of Jablotron's car alarm, Accent, can not only operate your car with buttons A and B, but can also control a garage door opener if the simultaneous pushing of A&B buttons has been taught to a UC-222 controller. In a similar way, JA-60 detectors can work with a JA-60 control panel and the same detectors can also simultaneously be used with a UC-222 for house automation.

Erasing items from the memory

All enrolled remote controls (or JA-60 items) can be erased from the UC-222's non volatile memory:

- open the external cover
- use the setting button to enter the 4th setting mode
- when the 4th LED is flashing, press the UC-222's setting button and hold it until all indicators flash for a moment
- The receiver's memory will now be erased

Note: Although this product does not contain any harmful materials we suggest you to return the product to the dealer or directly to the producer after usage.

