

# Think Life

**PROFILE // GENIOS**

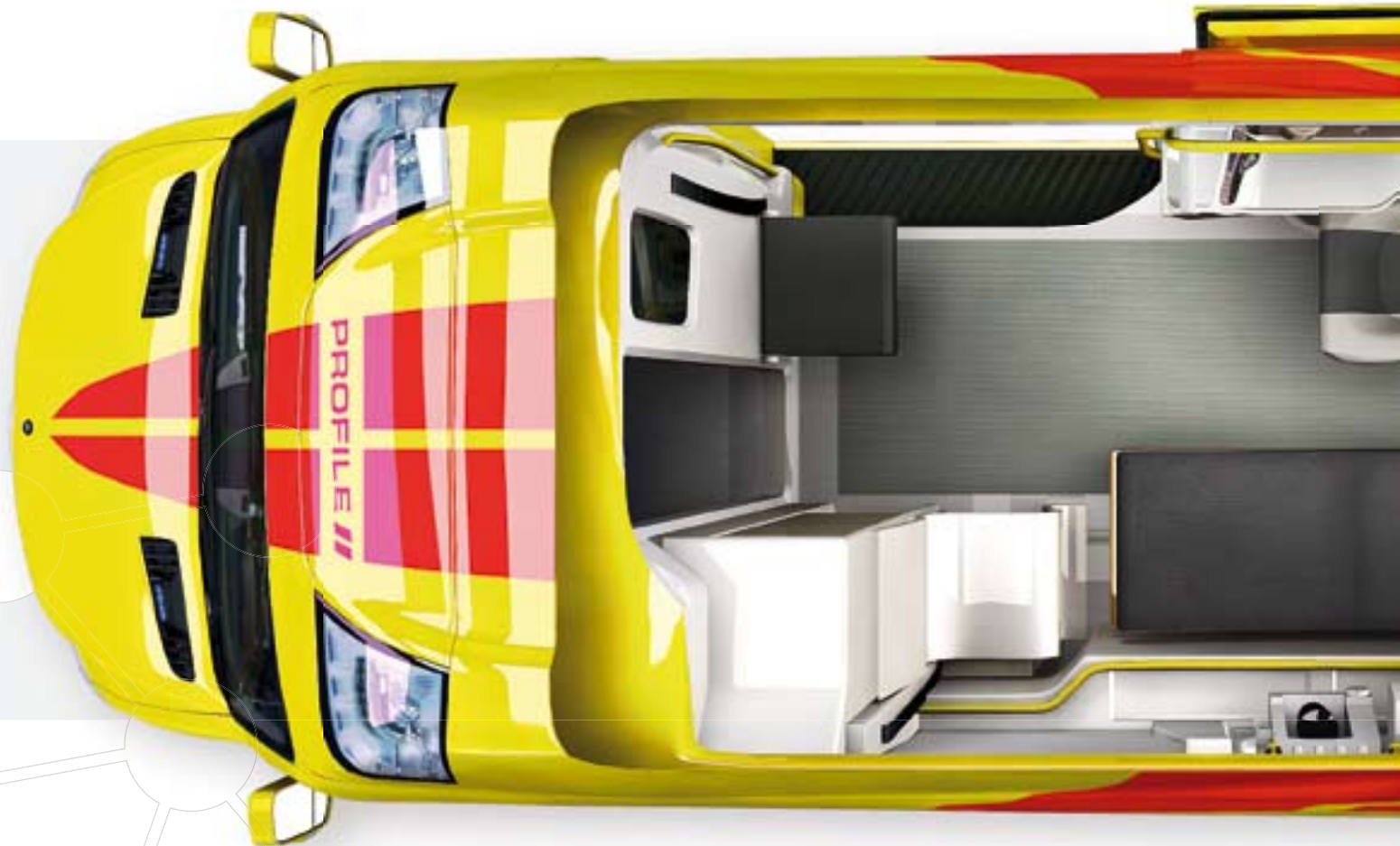
Ambulance thought over



**Even better IWS**

**Higher working space**

**Improved fuel economy**



**Pleasanter lighting**

**Locking floor rails**

**More recyclable parts**

**Safer handrails**



**Easier to keep clean**

**Automatic bulkhead door**

**More countertop space**

**Better quality interior air**



# GENIOS

We rethought the ambulance...and came up with Profile Genios

We were thinking about you. We designed Profile Genios with you in mind, so that you can be there for your patient. We made Profile Genios for a larger chassis, and it has space for plenty of new features that make your work a pleasure.

It is more ergonomic, adaptable, ecological, safer, easier to keep clean and better built for the future and on top of all that, it looks good. Life gets you thinking.

**Safer access**

**Easier-to-change oxygen cylinders**

**Smarter cabinet system**

**Adaptable roof module**

**Improved aerodynamics**

**Better looking**

**Integrated 360° warning lights**

**Conforms to future standards**

**More hygienic floor**

**Improved pedestrian safety**

**More versatile seat**

**Think Life**  
**PROFILE // GENIOS**  
Ambulance thought over

# Genios safety

We created Profile Genios to save lives. When you feel safe, you focus on what you are doing - no matter what the situation.

## Safe, sitting or standing

We designed Profile Genios for hectic situations. Grab rails in exactly the right positions make it easier to get in and out, and the doorways are fitted with padding. The innovative floor surface prevents you from losing your footing.

You can sit with your seatbelt fastened the whole time. Your patient and your indispensable equipment are within easy reach.

## Practical upper cabinets

Supplies in the upper cabinets are easily accessible. They do not fall on the patient because the doors open downwards. When the doors are down, the cabinets are a source of additional lighting.

## No-hassle bulkhead

The bulkhead upholstery is shock absorbent. An automatic bulkhead door comes as an option.

## Improved pedestrian safety

Profile Genios' design minimises injuries to pedestrians in the event of a collision.



# Clean Genios

Integrated parts give Profile Genios its looks - functional beauty serves a purpose. And it takes less effort to keep Profile Genios clean.

## Easy to clean, inside and out

Profile Genios has no awkward-to-clean nooks and crannies. The basin-shaped floor is seamless and waterproof, so you can flush it out as much as you need. The floor rails are easy to clean, too.



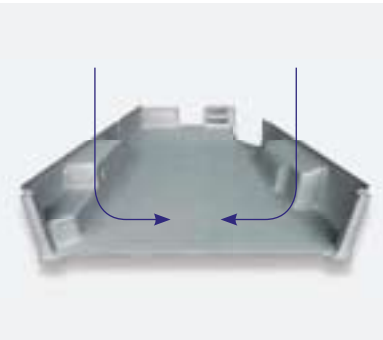
Upper cabinets



Working environment



Streamlined integrated parts



Basin shaped floor module

# Genios design

We have perfected Profile Genios to do its job. It has no end of practical details in places where you had always wished they were. We designed Profile Genios using advanced 3D modelling.

## Ergonomic work space

Now you can get into a steady position as you bend over to tend to your patient. We have successfully positioned a bar alongside the stretcher, in reach of your hand but not your elbow.

All your essential equipment is within easy reach from your seat, and the waste container fastened to the seat is always right where you need it. The paramedic box is more conveniently located than ever, and there is more countertop space in the cabin.

You can stand to your full height; the innovative shape of the roof provides optimum headroom. The IV drip and oxygen are within easy reach, and the tubes do not get in your way.

## Pleasant environment

You can adjust the lighting according to need. One innovation is soft indirect lighting that allows you to make your patient more comfortable. Efficient fluorescent lighting provides a stronger working light.

Improved air conditioning and heating maintains fresh air and an even temperature in the patient compartment.

## Easy-to-change oxygen cylinders

Our revolutionary idea saves time and your back; the oxygen cylinder rack turns outwards from the vehicle.

## Improved IWS

The intelligent wiring system (IWS) handles a wider range of routine matters. New features include monitoring oxygen flow and IV fluid temperature, stepless regulation of the air conditioning, automatic bulkhead door closing and an outdoor temperature display. We have also updated the console.

## Impressive looking

Profile Genios' design conveys the message of efficient, modern care. If you wish, you can add a dash of luxury to the exterior with individualised detailing. Besides enhancing appearance, the advantages of the acrylic-coated ABS plastic used for the exterior include greater loading and scratch resistance.

# Genios ecology

Profile Genios causes minimum environmental loading during and after its working life.

## Recyclable materials

We used fully recyclable acrylic-coated ABS plastic in the manufacture of Profile Genios.

## Excellent aerodynamics

The streamlined Profile Genios is a joy to drive but above all, its aerodynamics generate real savings in fuel.



IWS



Adaptable lighting



# A future with Genios

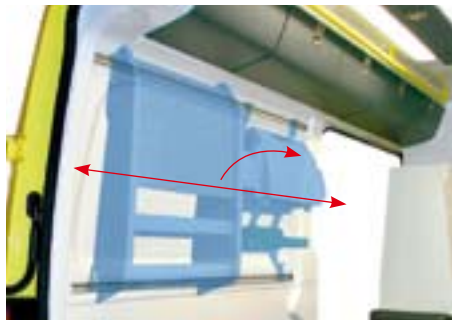
You will have a state-of-the-art ambulance for years to come. We built Profile Genios for the future.

## Attention to changing needs

The wall cabinets and equipment on the left have been installed on rails so that you can move them and switch them around. The rails also provide space for such things as a defibrillator and syringe pump.

## Up to standard

Profile Genios complies with the requirements set by the CEN 1789 standard. Profile Genios is an externally low and internally high category C ambulance.



Cabinet system

# Customised Genios

What kind of an ambulance are you looking for? We made Profile Genios especially for you – make it yours!

## Adaptable roof module

Profile Genios' nerve centre has enough space to accommodate your wishes: we can add additional lights, an antenna, speaker or illuminated sign to the central console.

## Multi-purpose floor rails

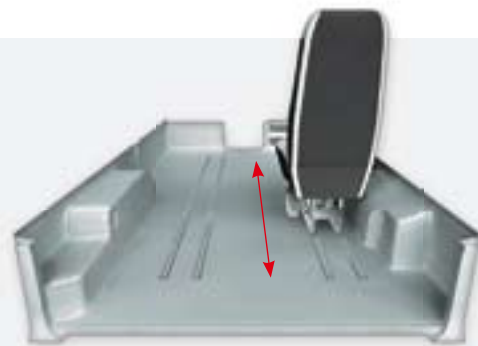
You can move your seat to the desired point along the rails and lock an additional stretcher, wheelchair, hospital bed or incubator to them.



Roof module



High non-symmetrical working space



Floor rails

# Genios range for a Mercedes-Benz Sprinter chassis

## Low model (4-5 doors)

Wheelbase: 3665mm  
Exterior height: 2380mm  
+ lights 100-180mm  
Interior height: 1570mm  
Interior width: 1700mm  
Interior length: 3200mm



Low model 4 doors



Low model 5 doors

## Mid-height model (4-5 doors)

Wheelbase: 3665mm  
Exterior height: 2570mm  
Interior height: 1800mm  
Interior width: 1700mm  
Interior length: 3200mm



Mid-height 4 doors



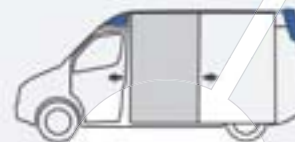
Mid-height 5 doors

## High model (4-5 doors)

Wheelbase: 3665mm  
Exterior height: 2670mm  
Interior height: 1860mm  
Interior width: 1700mm  
Interior length: 3200mm



High model 4 doors



High model 5 doors



Cabin



# Think Life

**PROFILE // GENIOS**

---



## **PROFILE //**

### **Two stripes for quality**

The two stripes symbolise uncompromising work. The symbol combines the experience of emergency care professionals as well as Profile Genios' product development, design and technological excellence. Our genuine commitment to the sector spurs us on ever further to respond to the challenges our customers face and to come up with completely innovative solutions. That is how we create ambulances that rank among the best in the world.

#### **Profile Vehicles Oy**

Yrittäjätie 1, 74130 Iisalmi  
PO Box 78, 74101 Iisalmi, Finland  
Tel. +358 17 821 7411  
Fax +358 17 821 7436  
info@profilevehicles.com  
www.profilevehicles.com

