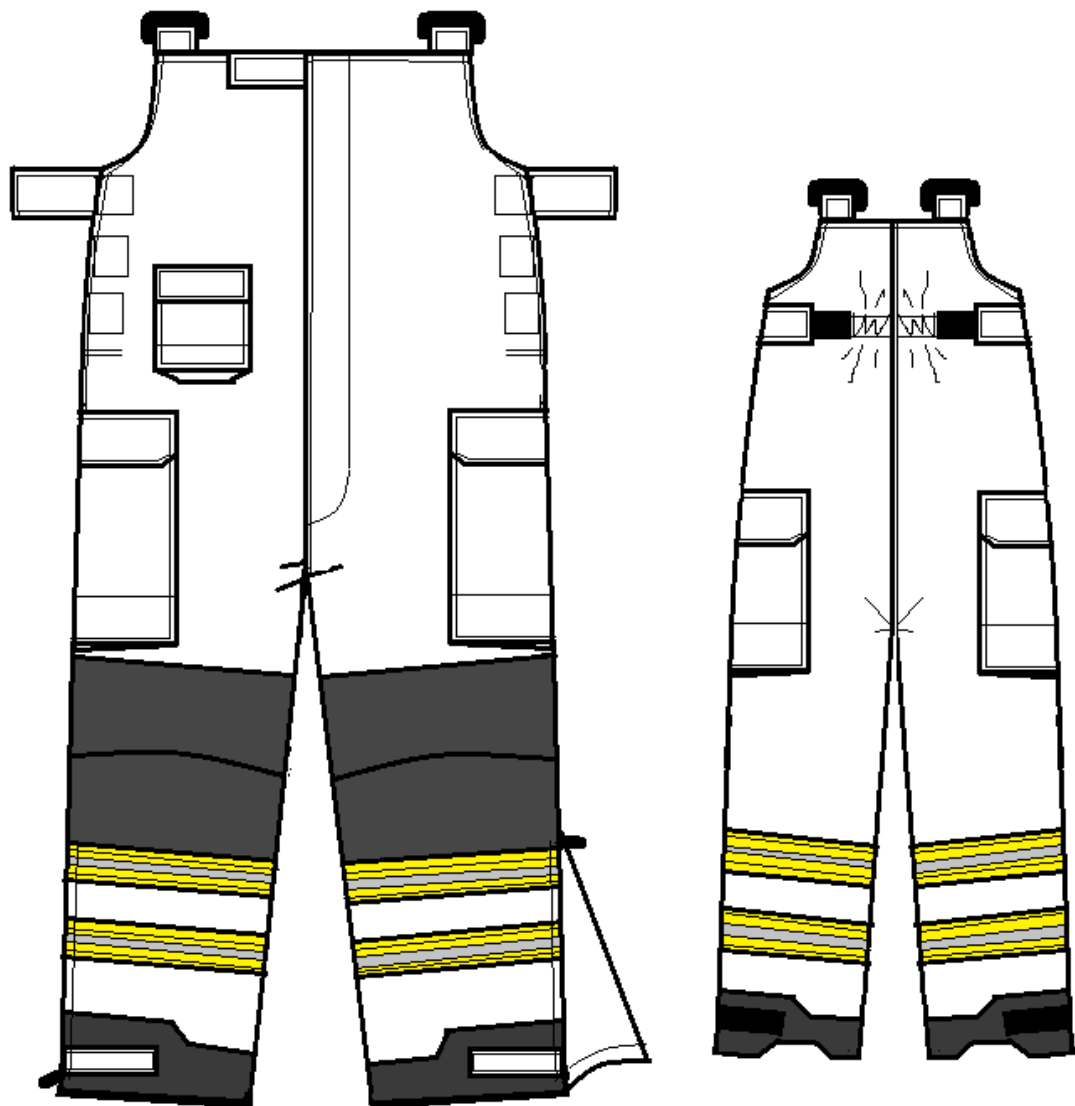




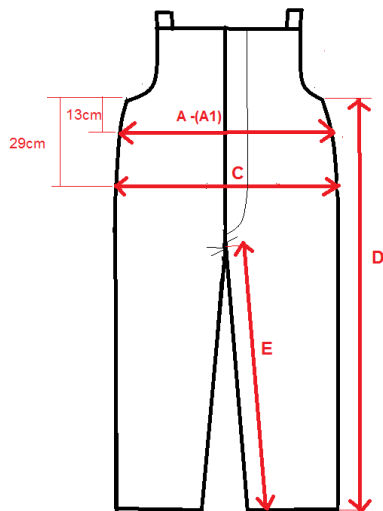
890461-Island



EN-469-2014 XF2-XR2 – Z2- Y2

- 1) Outer material: Nomex Titan 22Kevlar/76 Nomex/2 Antistatic
Inner material: 275 gr quilt Nomex/viscose
Knitwear: Nomex 240g in front part of the legs
Membrane: PU in the legs
Kevlar on the knees and at the bottom
- 2) Zipper in the fly, in the legs
- 3) Reflex: striped 50mm reflex – twice round at the bottom with a space of 5cm between them.
- 4) Velcro/astracan: a fly strap with V/A closure

- The hip pocket in the right side
- 2 inner knee pockets (lining)
- 2 thigh pockets with flap
- side opening with V/A closure
- bottom strap with V/A closure
- 5) Pockets:
 - Two thigh pockets with flap
 - One hip pocket on right side of the front
 - Two inner pockets in the lining
 - Side opening in side seams.
- 6) Braces: black braces, detachable on the front and back side
- 7) Fix locks: black
- 8) Elastic: in the back waist
- 9) Numberlap: no
- 10) Kevlar strengthening at the bottom of the trousers legs +2cm outside, on the knee
- 11) The membrane is sewn on the lining.



890461 trousers measurements

	48	50	52	54	56	58	60	62	64
A waist width 1/2	52	54	55	57	58	60	62	64	66
C hip width 1/2	57	58	60	61	63	65	67	68	70
E inside leg length	73	73	73	75	75	75	75	75	75
D side leg length	113	113	114	116	117	117	118	118	118