

FOUR STROKE



VF53AS CE

1200 liter / min. at 0.6MPa
950 liter / min. at 0.8MPa
700 liter / min. at 1.0MPa

Portable Fire Pumps

Model VF53AS

Engine	Tohatsu 4 strokes, water-cooled gasoline engine
Authorized output	30PS (22kW)
Dry weight	101kg

Light weight and compact

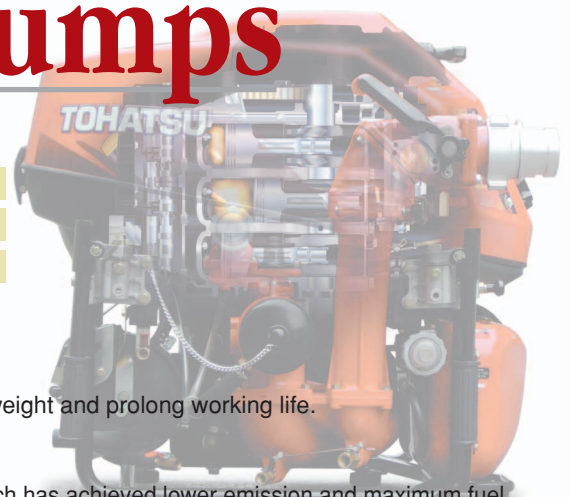
- ▶ Engine and pump castings are made of anti-corrosive aluminum-alloy to reduce weight and prolong working life.

Maximum reliability

- ▶ VF53AS is powered by TOHATSU's original developed 4stroke 3cylinder engine which has achieved lower emission and maximum fuel economy for environment protection. The technology which has proved itself in Tohatsu's state-of-the-art outboard engines ensures maximum reliability for any fire fighting scenes in all seasonal condition.

Quick priming

- ▶ Quick priming is provided by simple operating **Rotary vane vacuum pump**. The pump prime 3meters in only 3 seconds.



TOHATSU Model VF53AS Features

1 Low emission

CO emission lowered by 43%. HC and NOx lowered by 90%*

2 Low noise and vibration

Lower noise (Reduced by 9dB*) and less vibration does not interfere with speech communication during operation.

3 Excellent fuel economy

Electrically controlled fuel injection helps optimum fuel supply depending on engine speed, maximizing lower fuel consumption.

4 Engine overheat protection sensor

Engine overheat protection device is provided on this model to safeguard against cooling water loss, and to protect engine when water is not discharged. This device shuts off engine automatically when engine temperature reaches 80 °C. Reset switch is provided.

5 Electrically controlled fuel injection

Electrically controlled fuel injection secures reliable engine starting under any weather condition even in the event of low battery power.

6 Auto priming system

Rotary vane vacuum pump is automatically activated after engine starts, and cut off once priming is completed.

7 Double swived outlets rotating within a 90 degree

*Note: Numerical data are comparison with our two stroke models operating at 0.4MPa.

Accessories 1. Battery charger

2. Tool set

Optional items 1. Floodlight projector

2. Plastic toolbox

Adapters Some different type of adapters for suction port and discharge ports are available.

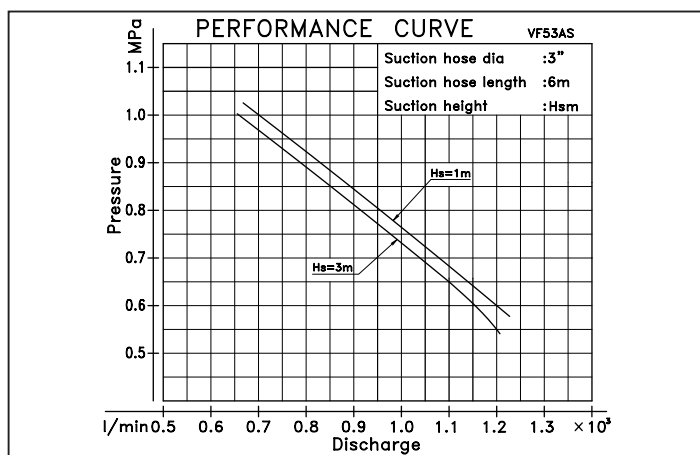
Specifications

Model	VF53AS
Engine	
Type	Tohatsu 4-stroke, 3-cylinder, water cooled gasoline engine
Model	3WT61A
Bore & Stroke	61mm x 60mm
Piston displacement	526cc
Authorized output	30PS (22 kW)
Fuel tank capacity	10 liters
Fuel consumption	9.5 liters/h
Ignition	Flywheel magneto (Digital CDI)
Starting system	Starter motor and recoil system
Lubrication	Wet Sump
Light bulb	12V-55W
Battery	12V-18Ah/10h
Pump	
Type	Single suction, single stage, high pressure turbine pump
Discharge port coupling	JIS fire thread (B-9912), 2-1/2" male *1
Suction port coupling	JIS fire thread (B-9912), 3" male *2
Priming	Rotary-vane vacuum pump (Oilless type)
Pump performance (Suction height: 3m)	
at 0.6 MPa	1,200 lit./min.
at 0.8 MPa	950 lit./min.
at 1.0 MPa	700 lit./min.
Dimensions and weight	
Overall Length x Width x Height	670mm x 790mm x 740mm
Mass	101kg
Max. suction height	Approx. 9m

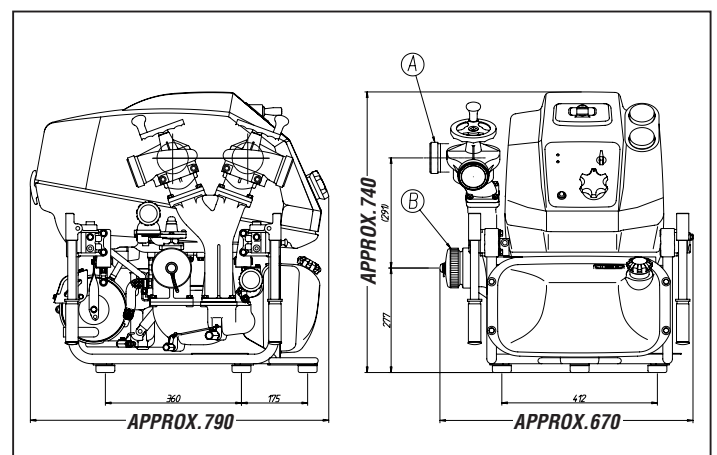
*1 Factory option BSP or NST

*2 Factory option BSP or NST (3", 4")

Performance curve



Outline drawing



TOHATSU CORPORATION

Address: 5-4, Azusawa 3 chome, Itabashi-ku, Tokyo 174-0051

Phone: +81 (0) 3 3966 3115

Fax: +81 (0) 3 3966 2951

Web site: <http://www.tohatsu.co.jp>

Tohatsu reserves the right to change or improve the design of this model without prior notice.



ISO9001 : 2000, ISO14001 : 2004 Certified
Head office, Komagane plant

090315-2-(2)
Printed in Japan